

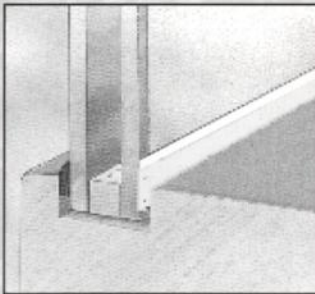
Anchoring Systems



GLASS-GARD® safety and security film holds broken window glass together after it has been struck either by man-made or natural forces. In most cases, the filmed glass can withstand repeated blows and remain in the window frame.

However, if the force striking the filmed glass is strong enough, such as a nearby bomb explosion, or if the filmed glass is struck often enough, all or a portion of the glass pane will separate from the window frame. An anchoring system is a reinforcement mechanism that holds the filmed glass in the frame more securely, giving it extra impact resistance.

There are three basic types of anchoring systems: (a) caulking materials, (b) clear adhesive tapes, and (c) mechanical attachments.



Caulking Materials

A continuous bead of caulking material can be laid down around the perimeter of the filmed glass. The caulking bonds the edge of the film to the window

frame, making it more difficult for the filmed glass to separate from the frame. Caulking materials retain their strength for years, but eventually lose strength and should be removed and re-caulked as suggested by the manufacturer.

Clear Adhesive Tapes

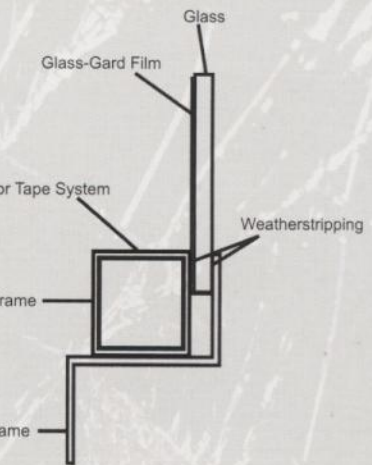
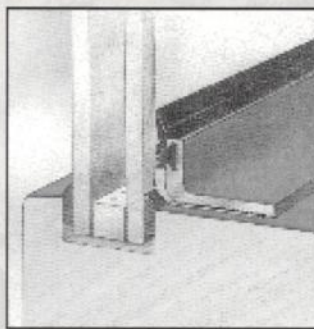
Clear, polypropylene adhesive tapes can be applied around the perimeter of the filmed glass, in much the same way as caulking materi-

al, to secure the edge of the filmed glass to the window frame.

Polypropylene tape has the advantage of elasticity, allowing it to absorb blows without rupturing.

Mechanical Attachments

The strongest and most permanent anchoring device is the mechanical attachment system. The film extends beyond the edge of the window frame and is wrapped around metal bars which



are fastened to the frame with mounting screws. The best systems are designed so the mechanical device absorbs much of the force instead of the film. These systems are more costly, but provide the maximum protection.

The decision whether to install an anchoring system and, if so, which type of system would be optimum, depends on many factors including but not limited to the nature of the risk (i.e. windstorm, bomb blast, intruders) the type and size of window frames and economics.

Film Technologies International, Inc. (FTI), the manufacturer of GLASS-GARD safety and security films, does not manufacture or market anchoring systems. But, FTI is willing to share with prospective customers the results of impact testing it has conducted on GLASS-GARD films with and without various anchoring systems.



Film Technologies International, Inc.

2544 Terminal Drive South • St. Petersburg, FL 33712

(727) 327-2544 • 800-777-1770 • (727) 327-7132

www.filmtechnologies.com • info@filmtechnologies.com